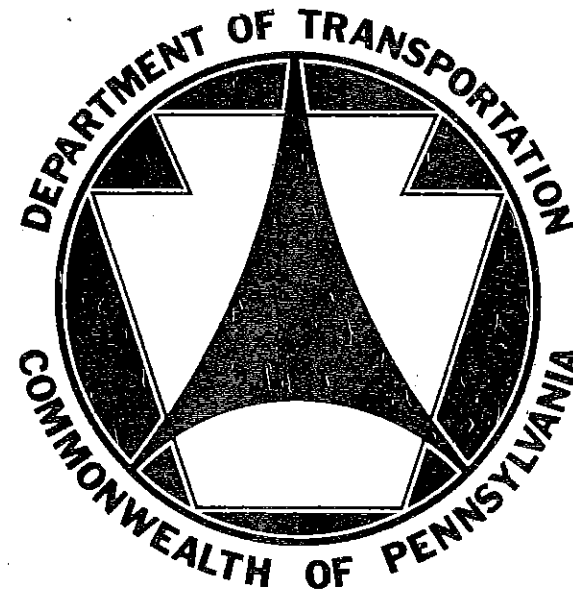


TC-7700 SERIES

TC-7705A

**COMMONWEALTH OF PENNSYLVANIA  
DEPARTMENT OF TRANSPORTATION**

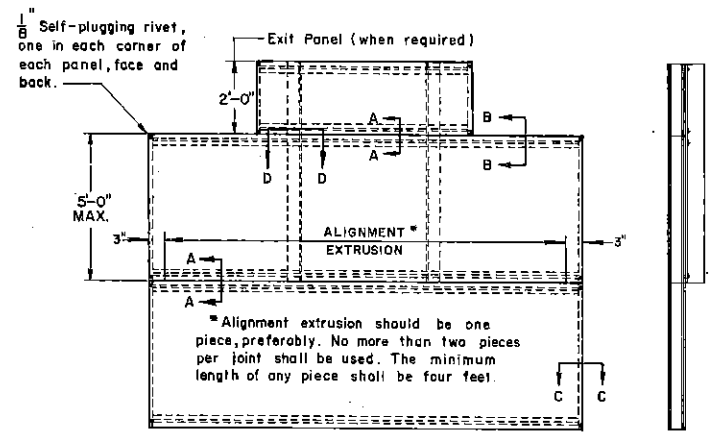
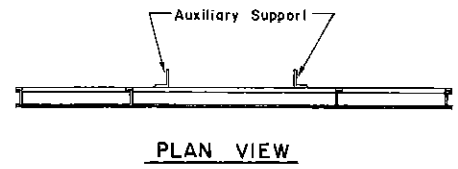


**TRAFFIC STANDARDS  
SIGNING**

~~REVISION~~  
6-29-73

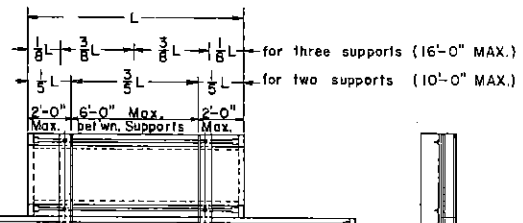


DISTRICT	COUNTY	ROUTE	SECTION	SHEET

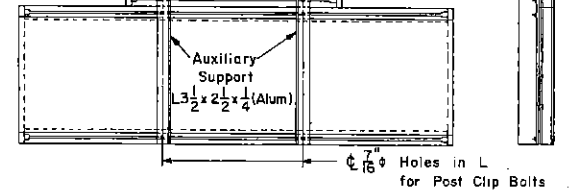


END VIEW

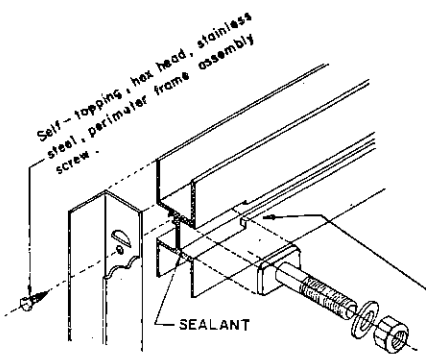
ELEVATION SIGN ASSEMBLY



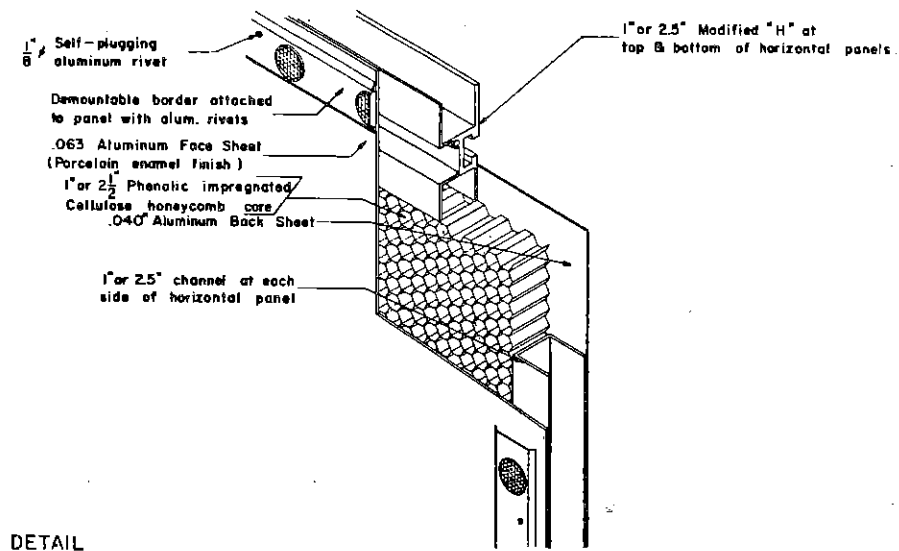
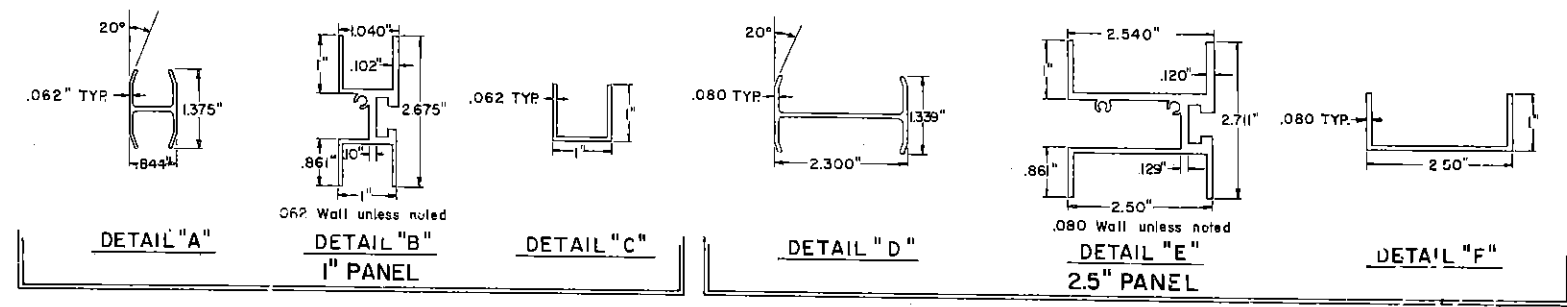
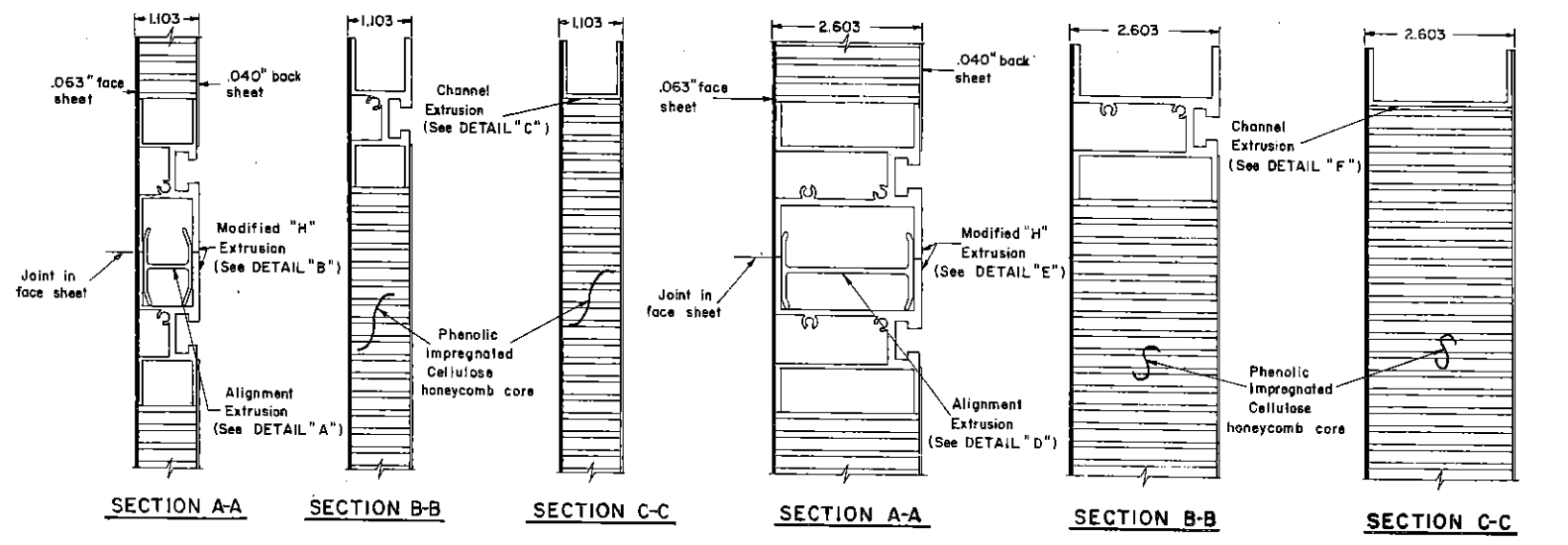
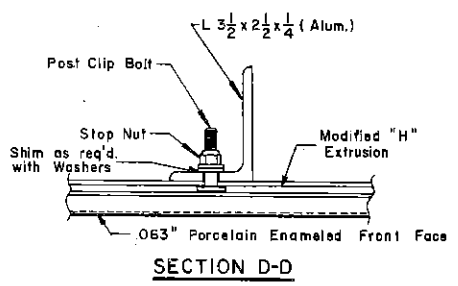
REAR ELEVATION SIGN ASSEMBLY



END VIEW



CORNER DETAIL



CUT-AWAY DETAIL

Additional Entrance Holes shall be provided as follows:

Length ≤ 15'-0" - 1 hole - at 1/2 pt.

Length > 15'-0" - 2 holes - at 1/3 pts.

CUT-AWAY DETAIL

GENERAL NOTES:

All material used in the fabrication of the laminated panel, with the exception of the core & the perimeter frame assembly screws, shall be aluminum.

The various aluminum components shall conform to the ASTM designation given in Form 408.

Fabrication of panels shall be in conformance with Section 930.2 (b) Form 408.

All materials & workmanship shall be in accordance with P.E.T. Form 408 and/or 409, current.

Commonwealth of Pennsylvania  
DEPARTMENT OF TRANSPORTATION  
BUREAU OF TRAFFIC ENGINEERING

LAMINATED PANEL SIGNS

Recommended _____	Approved _____	Sht. <u>1</u> of <u>1</u>
Director, Bureau of Traffic Engineering	Deputy Chief Highway Engineer	TC 7705 A

REVISIONS	

