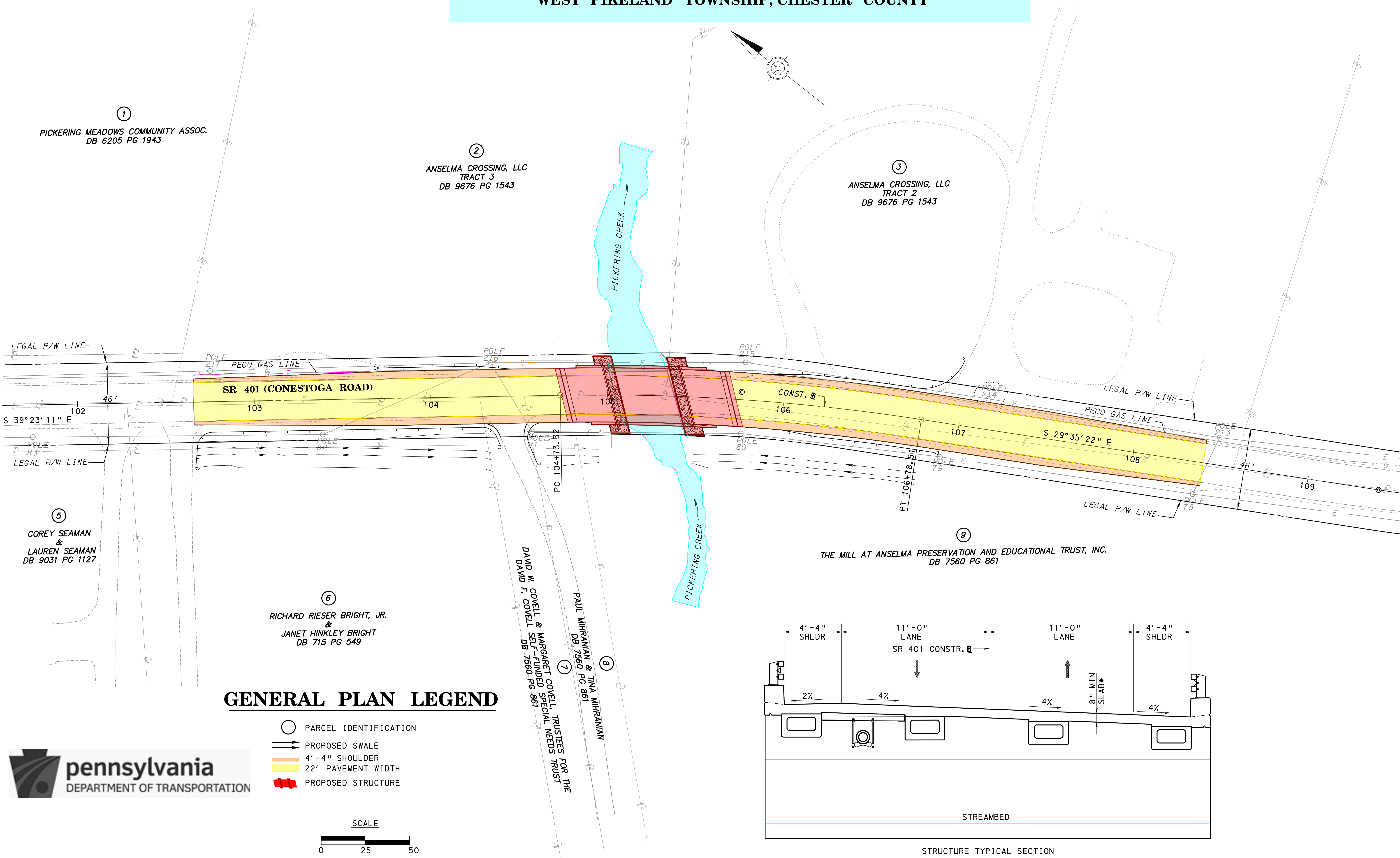


**SR 401 CONESTOGA RD OVER BRANCH OF PICKERING CREEK
STRUCTURE REPLACEMENT
WEST PIKELAND TOWNSHIP, CHESTER COUNTY**

D-9012 CADD (02-90) REVISED (10-04) PLOTTED 13-SEP-2023 08:30



①
PICKERING MEADOWS COMMUNITY ASSOC.
DB 6205 PG 1943

②
ANSELMA CROSSING, LLC
TRACT 3
DB 9676 PG 1543

③
ANSELMA CROSSING, LLC
TRACT 2
DB 9676 PG 1543

⑤
COREY SEAMAN
&
LAUREN SEAMAN
DB 9031 PG 1127

⑥
RICHARD RIESER BRIGHT, JR.
&
JANET HINKLEY BRIGHT
DB 715 PG 549

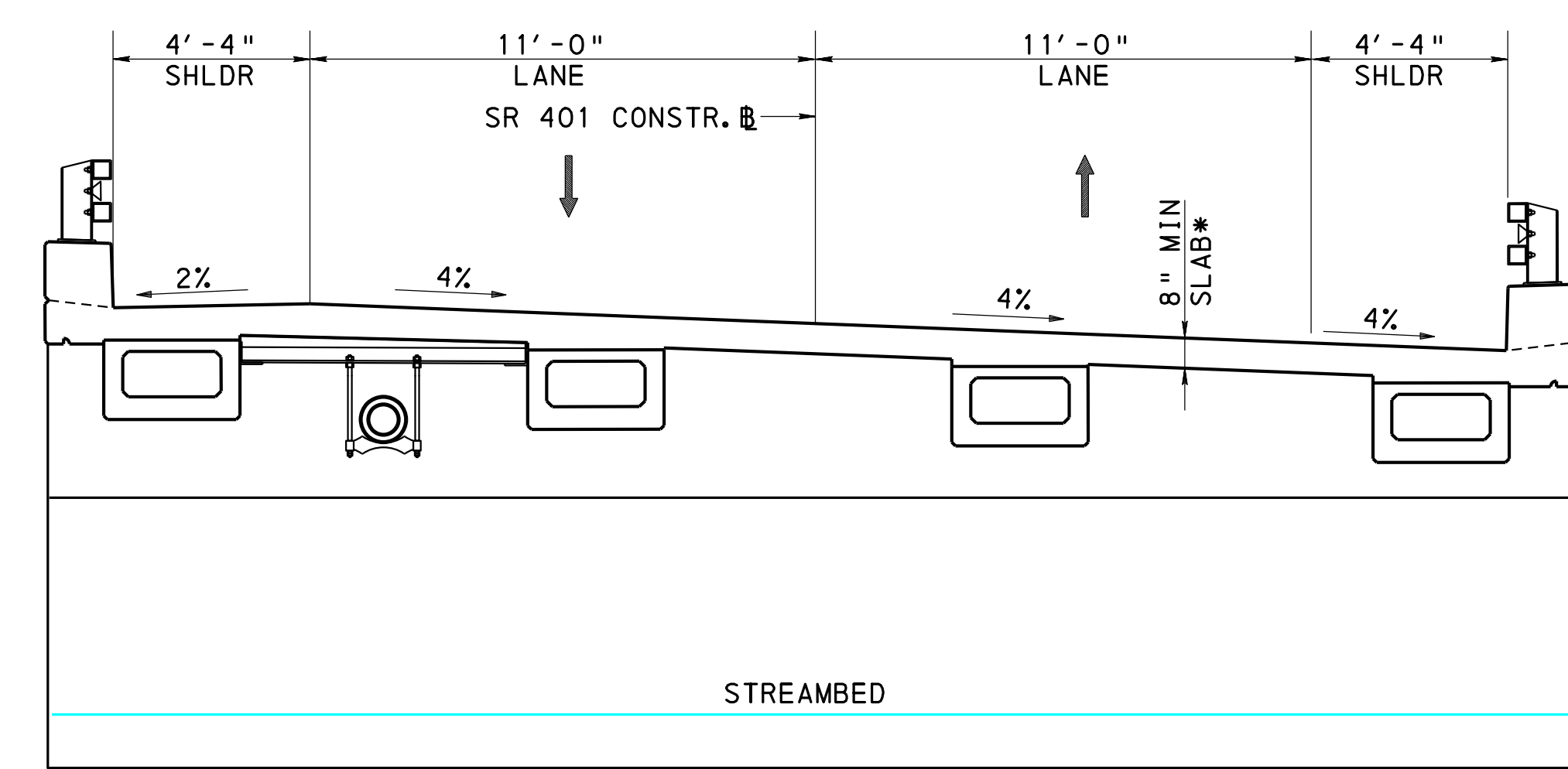
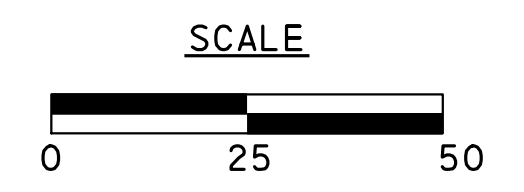
⑨
THE MILL AT ANSELMA PRESERVATION AND EDUCATIONAL TRUST, INC.
DB 7560 PG 861

⑦
DAVID W. COVELL & MARGARET COVELL, TRUSTEES FOR THE
DAVID F. COVELL SELF-FUNDED SPECIAL NEEDS TRUST

⑧
PAUL MIHRANIAN & TINA MIHRANIAN
DB 7560 PG 861

GENERAL PLAN LEGEND

- PARCEL IDENTIFICATION
- PROPOSED SWALE
- 4'-4" SHOULDER
- 22' PAVEMENT WIDTH
- PROPOSED STRUCTURE



STRUCTURE TYPICAL SECTION